



## SR II® Water Meter

### Positive Displacement Water Meter with Sensus® Electronic Register+™

The Sensus SR II® is for measurement of potable and reclaimed water flow usage in residential services.

#### Operation

Water flows through the meter's strainer and into the measuring chamber where it drives the piston. The hydrodynamically balanced piston oscillates around a central hub, guided by the division plate. A drive magnet transmits the motion of the piston to an electronic sensor located within the register. The Electronic Register+ calculates the rotations into volume totalization units displayed on the register LCD.

#### FEATURES

- 5/8", 5/8" x 3/4", 3/4", and 1" Sizes
- Sensus® Electronic Register+™ advanced electronic register
- Hydrodynamically balanced piston design
- Compatible with current Sensus AMI/AMR systems

#### Construction

SR II meters consist of three basic components: maincase, measuring chamber and sealed register. Maincases are made of NFS approved brass with externally-threaded spuds. Registers are housed in a bonnet of synthetic polymer. Measuring chambers are Rocksyn®, a corrosion-resistant, tailored thermoplastic material formulated for long-term performance and especially suitable for aggressive water conditions. Maincase bottom plates are available in brass or, if frost protection is desired, cast iron or synthetic polymer.

#### BENEFITS

- Enable more cost-effective, accurate meter readings
- Deliver a wide range of flows
- Provide lasting measurement accuracy for years of dependable service
- Integrate seamlessly with the FlexNet SmartPoint® module
- Tamper resistant
- Improve customer service
- Environmental and public health conscience

#### Sensus Electronic Register+

The Sensus® Electronic Register+™ is an advanced electronic register with 120 days of hourly data logging with 30-day data pull intervals available. It provides greater reliability, higher-resolution readings, and more advanced features than any other electronic communication register previously available.

#### Magnetic Drive

The SR II features a hydrodynamically balanced piston design that eliminates premature wear of components. The meter utilizes a patented positive reliable drive coupling. The high strength magnets eliminate "drive slip" in normal use and also provide adequate strength to drive remote register units.

#### Maintenance

SR II meters are engineered to provide long-term value and virtually maintenance-free operation. Simplicity of design allows interchangeability of parts of like-size meters, reduced parts inventory requirements and ease of maintenance. The register can be removed without relieving the water pressure or removing the maincase from the installation.

# SR II® Water Meter

## Positive Displacement Water Meter with Sensus® Electronic Register+™

### Smart Alarms

Electronic Register+ has several user configurable smart alarms. Get alerts and address these issues before they become more costly:

- Tampering  
Detect register removal as well as magnetic interference to reduce apparent water losses and protect against unauthorized activities.
- Low Battery  
Replace your meters before they stop recording consumption through alerts indicating battery capacity to the meter is running low.
- Customer Leak  
Detect continual consumption of water over a configurable period of time to indicate downstream leaks. This can reduce water loss and leak adjustment costs.
- Reverse Flow  
Keep untreated water from re-entering your distribution system or deter tampering attempts when reverse flow is detected.
- High Flow  
Detect broken pipes, high usage and reduce property damage through an alert triggered when excessive flow rates are recorded.

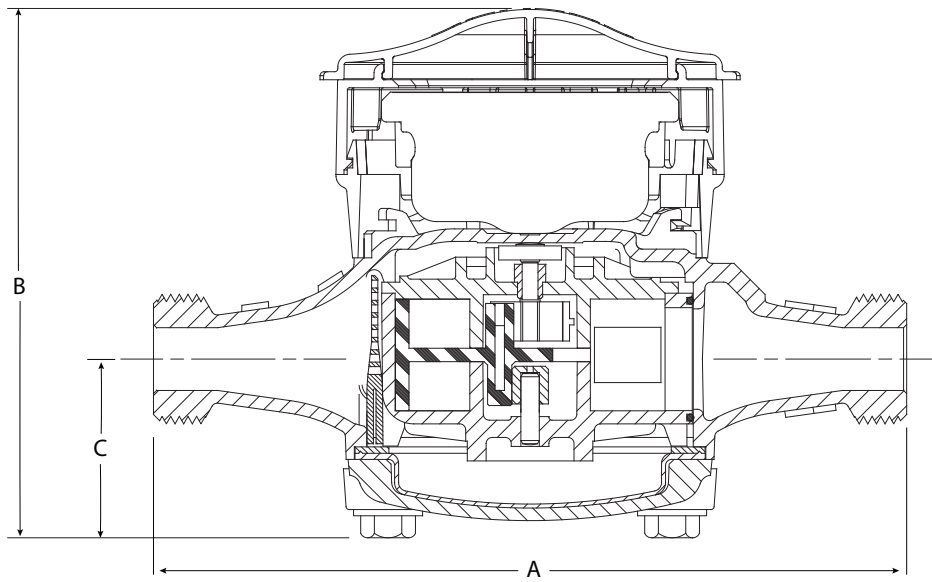


### SPECIFICATIONS

Service	Measurement of potable and reclaim water. 0-100% humidity. Fully submersible. IP68+rated.			
Temperature Ranges	Water operating:	33 °F (0.55 °C) to 80 °F (26.7 °C)	Ambient air operating:	-22 °F (-30 °C) to 140 °F (60 °C)
	Storage air:	-30 °F (-34.4 °C) to 158 °F (70 °C)		
Low flow registration (95%-101.5%)	5/8" (DN 15 mm) size: 1/4 gpm (0.06 m³/hr)	5/8" x 3/4" (DN 15x20 mm) size: 1/4 gpm (0.06 m³/hr)	3/4" (DN 20 mm) size: 1/2 gpm (0.10 m³/hr)	1" (DN 25 mm) size: 3/4 gpm (0.15 m³/hr)
Normal operating flow range (100% ±1.5%)	5/8" (DN 15 mm) size: 1 to 20 gpm (0.25 to 4.5 m³/hr)	5/8" x 3/4" (DN 15 mm) size: 1 to 20 gpm (0.25 to 4.5 m³/hr)	3/4" (DN 20 mm) size: 2 to 30 gpm (0.45 to 7.0 m³/hr)	1" (DN 25 mm) size: 3 to 50 gpm (0.07 to 11.0 m³/hr)
Maximum pressure loss	5/8" (DN 15 mm) size: 7.0 psi at 20 gpm (0.5 bar at 4.5 m³/h)	5/8" x 3/4" (DN 15 mm) size: 7.0 psi at 20 gpm (0.5 bar at 4.5 m³/h)	3/4" (DN 20 mm) size: 9.0 psi at 30 gpm (0.6 bar at 7.0 m³/h)	1" (DN 25 mm) size: 7.3 psi at 50 gpm (0.5 bar at 11.0 m³/h)
Maximum operating pressure	150 psi (10.0 bar)			
Measurement element	Oscillating piston			
Register	Electronic Register+: Hermetically sealed, communication of smart alarms with cable output options. 9 available digits. Direct Read: Hermetically sealed, no communication output. 6 odometer wheels.			
Capacity	10,000,000 gallons, 1,000,000 cubic feet or 100,000 m³ capacity.			
Register Resolution	Electronic: .01 gallons/imperial gallons, .001 cubic foot, or .0001 m³. Direct Read: 10 gallons, 1 cubic foot, or 0.01 m³/ or 0.1 m³/sweep hand revolution.			
Meter Connections	5/8" (DN 15 mm) size: 3/4" (20 mm) threads 3/4" (DN 20 mm) size: 1" (25 mm) threads		5/8" x 3/4" (DN 15x20 mm) size: 1" (25 mm) threads 1" (DN 25 mm) size: 1-1/4" (32 mm) threads	
	(All threads are straight pipe, external type, conforming to ANSI B1.20.1 or ISO R228, if specified.)			
Conformance to Standards	Meets the requirements of NSF 61, Annex G and NSF 372. Complies with the most current AWWA Standard C700.			
Materials	Maincase - Bismuth BiAlloy CDA 89836 or EnviroBrass II C89520 Register Box - Synthetic polymer Measuring chamber - Rocksyn®		Bottom plate - Bismuth BiAlloy CDA89836 Magnets - Ceramic Casing bolts - Stainless steel Strainer - Synthetic polymer	

# SR II® Water Meter

## Positive Displacement Water Meter with Sensus® Electronic Register+™



### DIMENSIONS AND NET WEIGHTS

Meter Size	A	B	C	Width	Net Weight
5/8" (DN 15mm)	7-1/2" (190 mm)	5-3/8" (136 mm)	1-3/4" (44 mm)	3-7/8" (98 mm)	4.3 lb. (1.97 kg)
5/8" x 3/4" (DN 15mm x 20mm)	7-1/2" (190 mm)	5-3/8" (136 mm)	1-3/4" (44 mm)	3-7/8" (98 mm)	4.4 lb. (2.0 kg)
3/4" Short (DN 20mm)	7-1/2" (190 mm)	5-7/8" (149 mm)	2-3/16" (56 mm)	4-1/2" (114 mm)	6.2 lb. (2.81 kg)
3/4" (DN 20mm)	9" (229 mm)	5-7/8" (149 mm)	2-3/16" (56 mm)	4-1/2" (114 mm)	6.4 lb. (2.90 kg)
1" (DN 25mm)	10-3/4" (273 mm)	7-1/8" (181 mm)	2-3/4" (70 mm)	6-1/2" (165 mm)	11.9 lb. (5.4 kg)

# SR II® Water Meter

## Positive Displacement Water Meter with Sensus® Electronic Register+™

### Head Loss Curves

